



# Bold

by Christophe de la Fontaine



The Bold series is our most iconic new feature. A cantilever chair with a collage of references: built from two massive cork side panels, graphically enhanced with linear aluminum connections and feet, and completed with a low hanging seat and backrest out of natural leather. Its dimensions fit both the dining and living area. The sophisticated mix of material, surface treatment and color offers a great variety in appearance.

## BOLD - CHRISTOPHE DE LA FONTAINE - ARMCHAIR

### MATERIAL

cork, powder-coated aluminum, leather

### COLOURS

Cork



natural



rose



mud

Powder-coated aluminum



white



black



bordeaux



blue

Leather



white



black

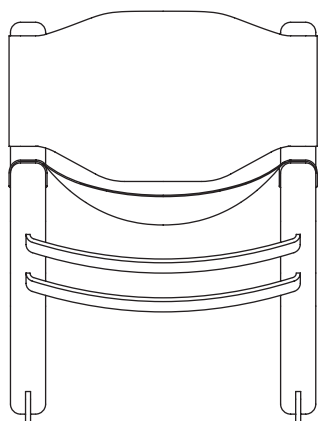


anthracite



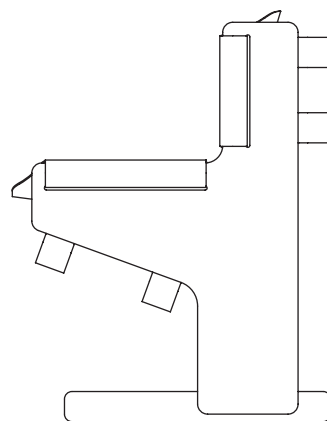
custom

### DIMENSIONS



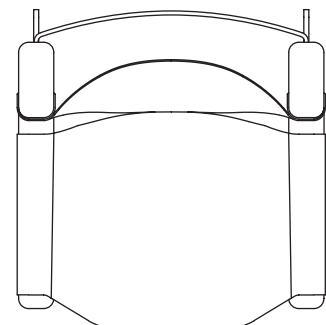
79,5

45



53

63,4



61,4